

For reference only. See data sheet for the detailed specifications.

Technical Specification



| | |
|--------------------------|--|
| Frequency Range(GHz) | 0.8 – 8.0 |
| Gain(dBi) | 10 Typ. |
| Polarization | Linear |
| 3dB Beamwidth(deg) | E Plane: 26 - 110 |
| | H Plane: 24 - 67 |
| Cross Pol. Isolation(dB) | 30 Typ. |
| VSWR | 1.5:1 Typ. |
| Connector | N-Female or SMA-Female |
| Power Handling(W CW) | N-Female: 300 Max. |
| | SMA-Female: 50 Max. |
| Material | Al |
| Finish | Chemical Conversion Coating and Sand Blasting |
| Size(mm) | 284 x 183 x 252 |
| Net Weight(Kg) | 2.10 Around |

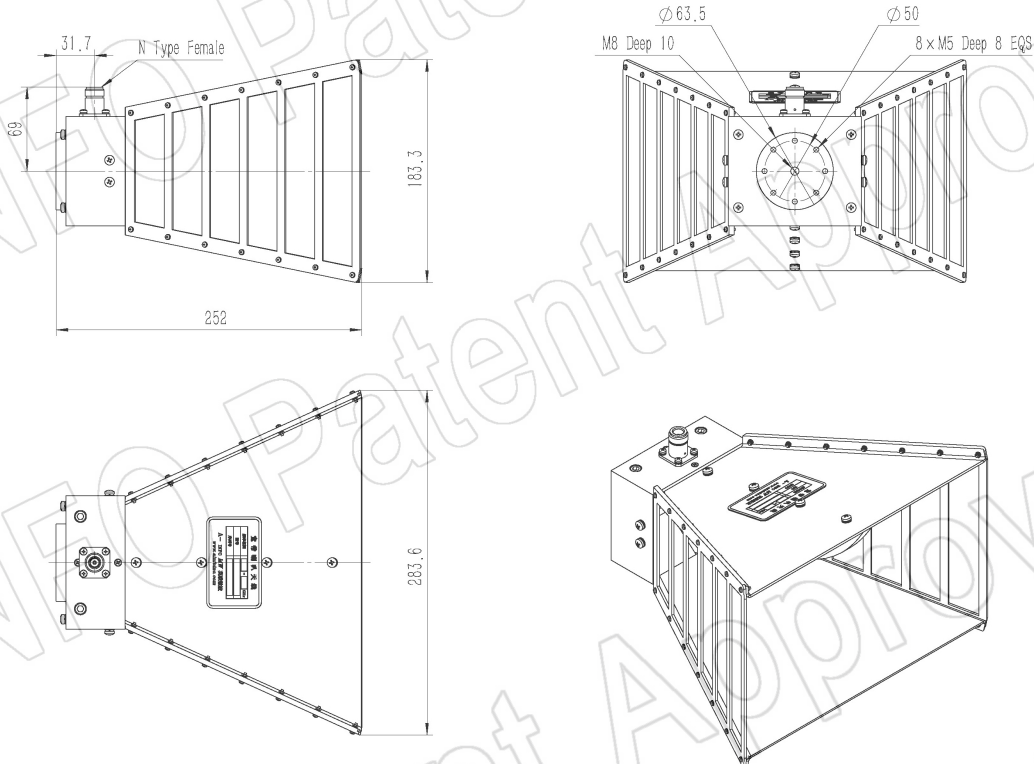
PATENT ID (China)

ZL201630454657.5

Outline Drawing (Size: mm)

N-Female Output (P/N: LB-880-NF)

For SMA-Female output outline drawing, please contact A-INFO.



AINFO Inc.

China(Beijing):
China(Chengdu):
USA :

Tel: (+86) 10-6266-7326,
Tel: (+86) 28-8519-2786,
Tel: (+1) 949-639-9688,

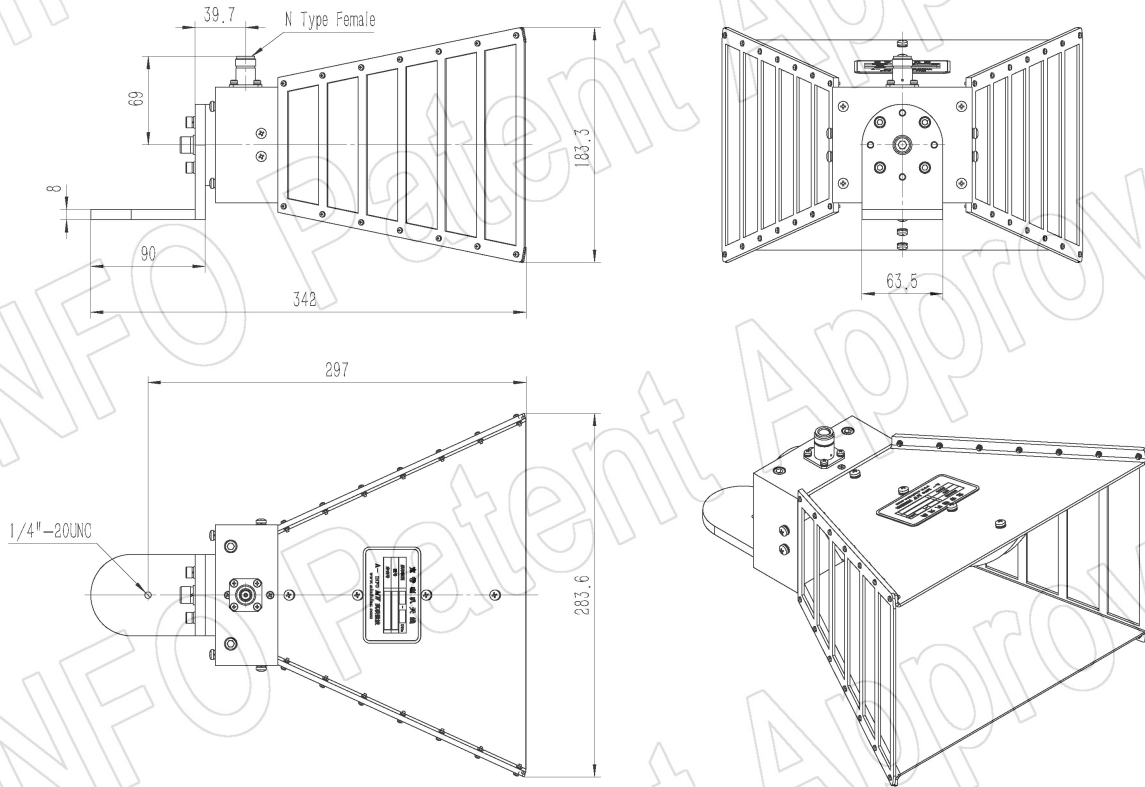
(+86) 10-6266-7327
(+86) 28-8519-3044
(+1) 949-639-9608

Fax: (+86) 10-6266-7379
Fax: (+86) 28-8519-3068
Fax: (+1) 949-639-9670

Website: www.ainfoinc.com
Email: sales@ainfoinc.com

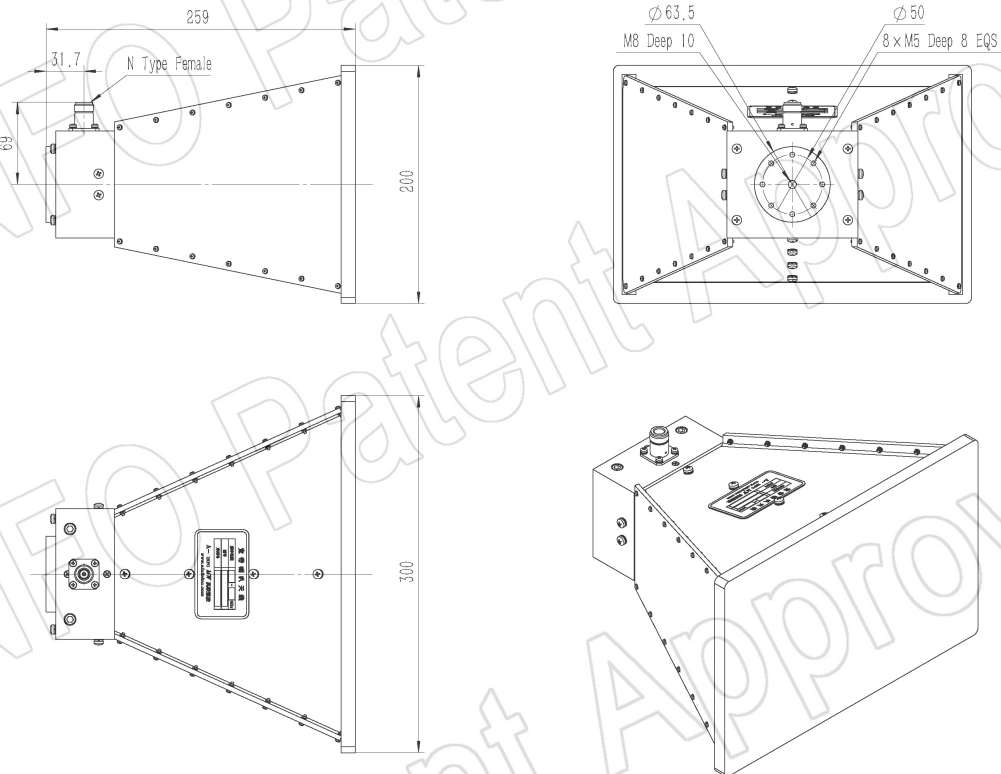
N-Female Output with L Type Mounting Bracket (Option, P/N: LB-10180-L)

For SMA-Female output outline drawing, please contact A-INFO.



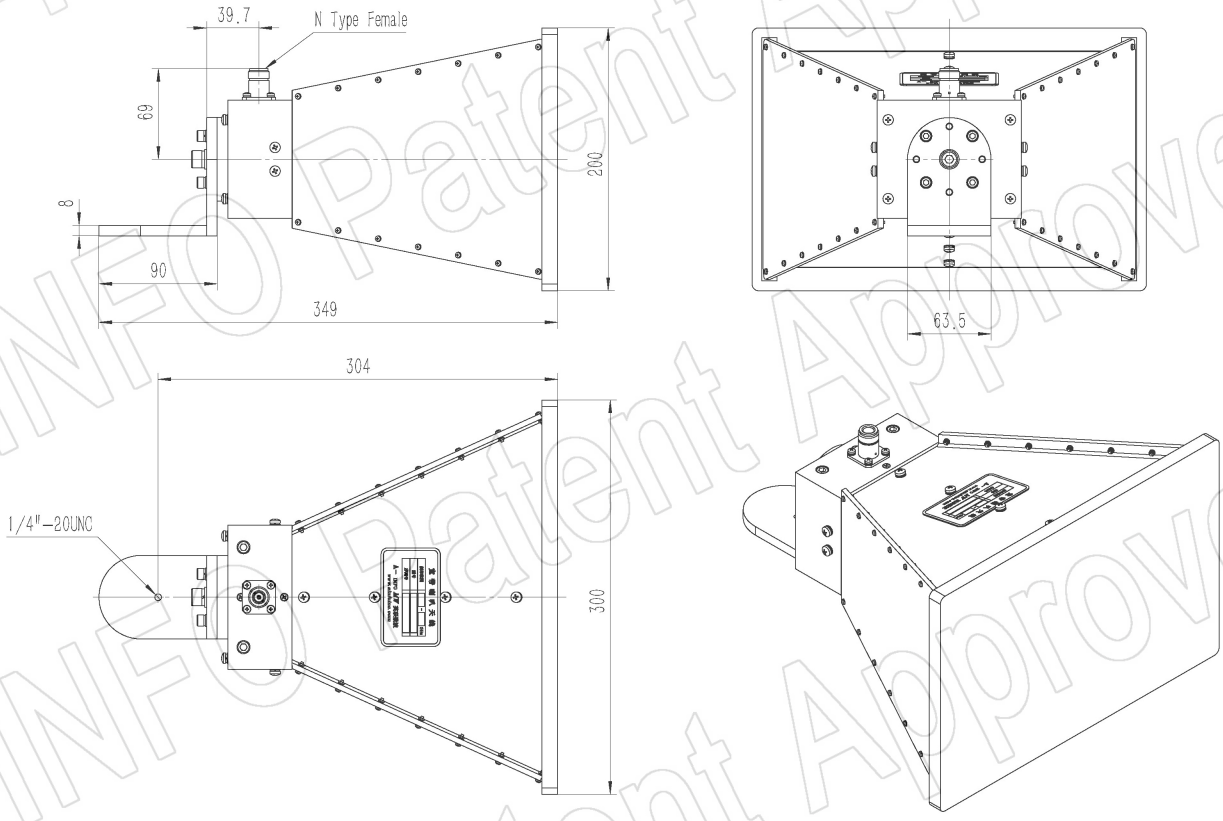
N-Female Output with Radome (Option, P/N: LB-880-NFSPO, Outdoor Application)

For SMA-Female output outline drawing, please contact A-INFO.



N-Female Output with L Type Mounting Bracket and Radome (Option, P/N: LB-10180-L & LB-880-NFSP0, Outdoor Application)

For SMA-Female output outline drawing, please contact A-INFO.



AINFO Inc.

China(Beijing):
China(Chengdu):
USA :

Tel: (+86) 10-6266-7326,
Tel: (+86) 28-8519-2786,
Tel: (+1) 949-639-9688,

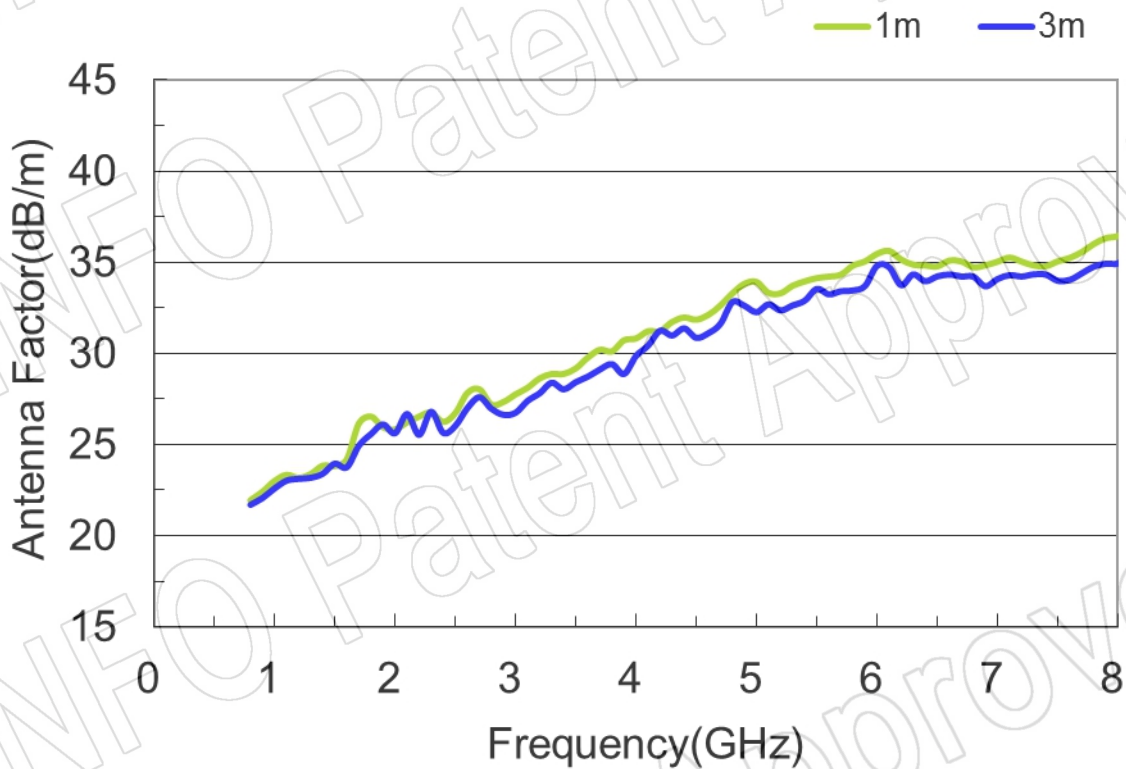
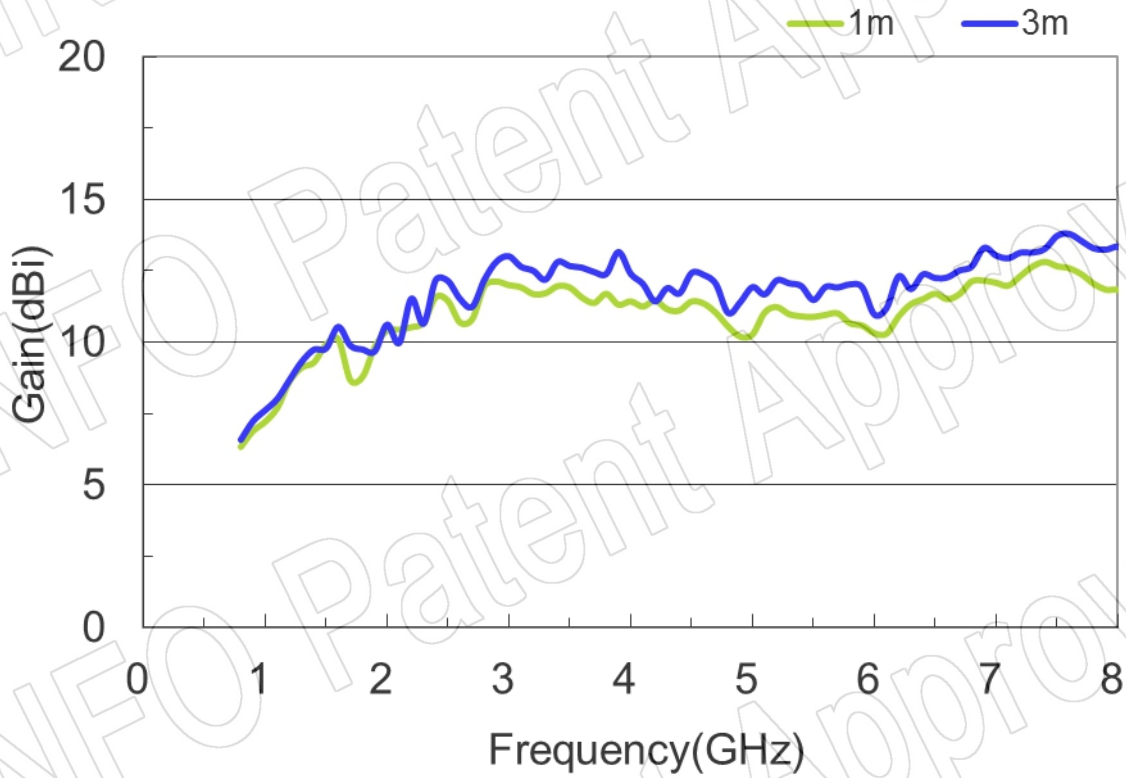
(+86) 10-6266-7327
(+86) 28-8519-3044
(+1) 949-639-9608

Fax: (+86) 10-6266-7379
Fax: (+86) 28-8519-3068
Fax: (+1) 949-639-9670

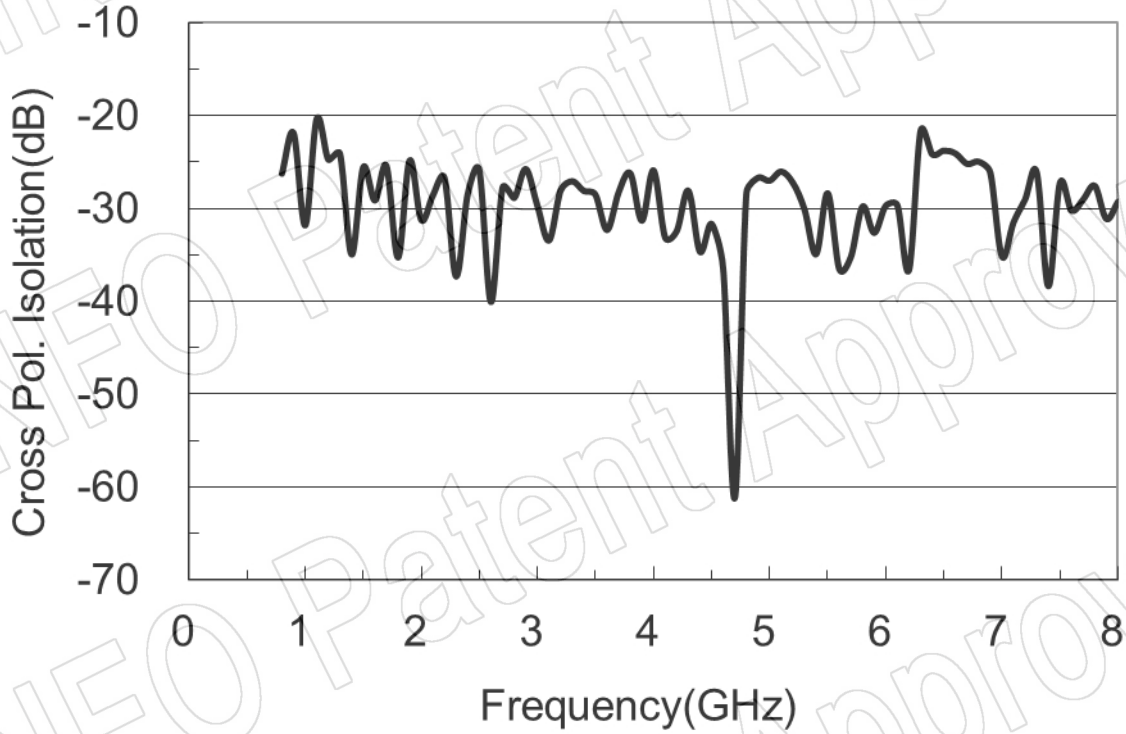
Website: www.ainfoinc.com
Email: sales@ainfoinc.com

Test Results

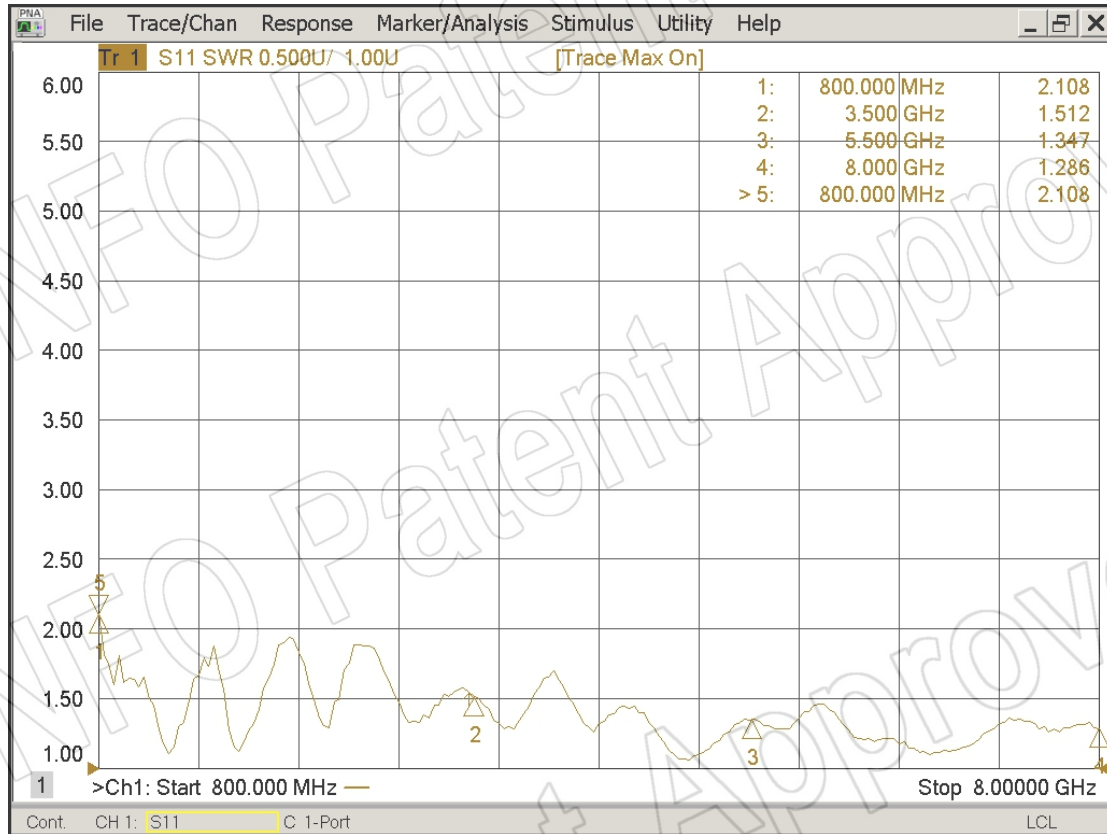
1. Gain & Antenna Factor



2. Cross Polarization Isolation



3. VSWR



4. Pattern

